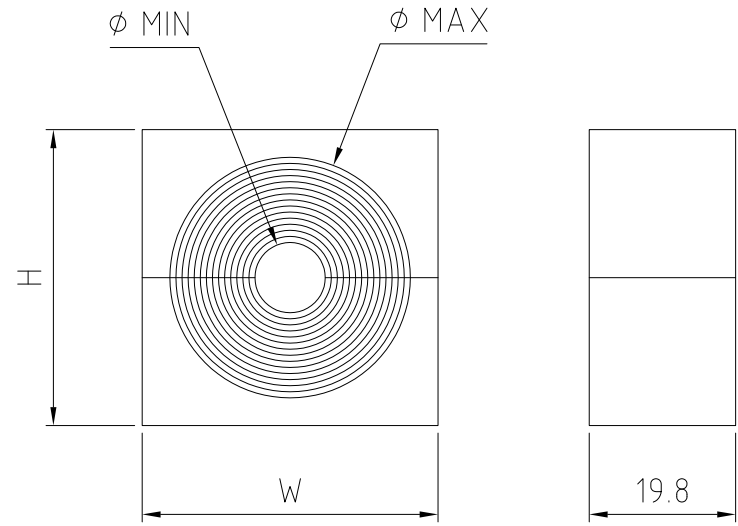


烙克赛克保留所有权利。未经授权严禁复制，使用以及向第三方泄漏。

All rights reserved. Unauthorized reproduction, use or disclosure to third parties is strictly forbidden.

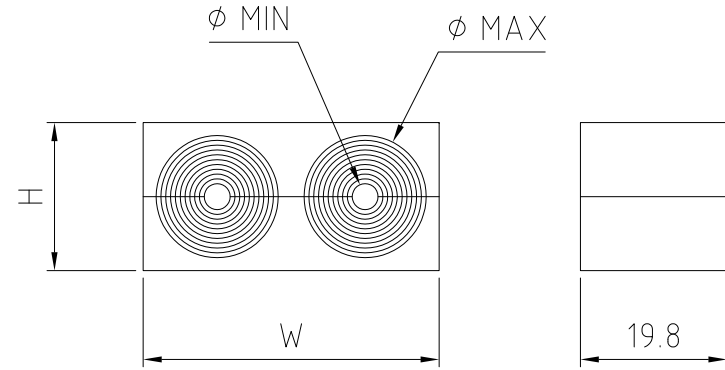
1 CABLE MODULE

EM 30w40  
EM 40 10-32  
EM 15



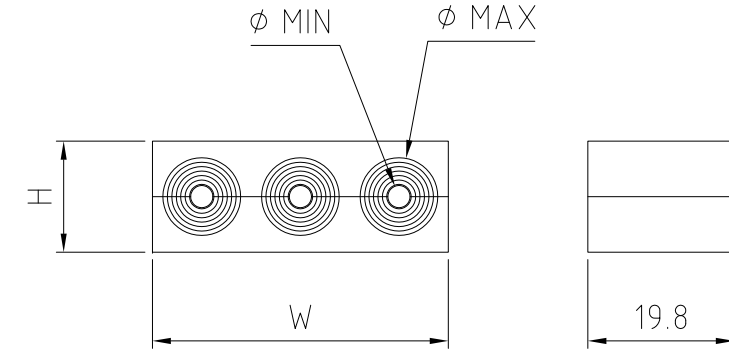
2 CABLES MODULE

EM 20w40



3 CABLES MODULE

EM 15w40  
EM 13.3w40



EM MODULES

TYPE	H (mm)	W (mm)	φ MIN (mm)	φ MAX (mm)
EM 15w40	15	40	3.5	10.5
EM 20w40	20	40	3.5	16.5
EM 30w40	30	40	10	25
EM 40 10-32	40	40	9.5	32.5
EM 13.3w40	13.3	40	3.5	10.5
EM 15	15	15	3.5	10.5

Item	Qty	Designation	Specification				Net Weight
General tolerance ISO 2768-1/2-m/K EN ISO 13920-BF	Welded details EN ISO 5817-B EN ISO 10042-B	General surface roughness, Ra 12,5	Designed by se-milkar	Created Date 2010-04-20	Approved by se-jorake	Approved Date 2014-01-08	Format A3
			Title EM MODULES ASSEMBLY				Projection method 
			Restricted due to Information Drawing				Rev B
			Drawing number S1020227				

B	INFORMATION CLARIFIED	2013-12-19	se-emikul
Rev	Type of revision	Date	Sign

